

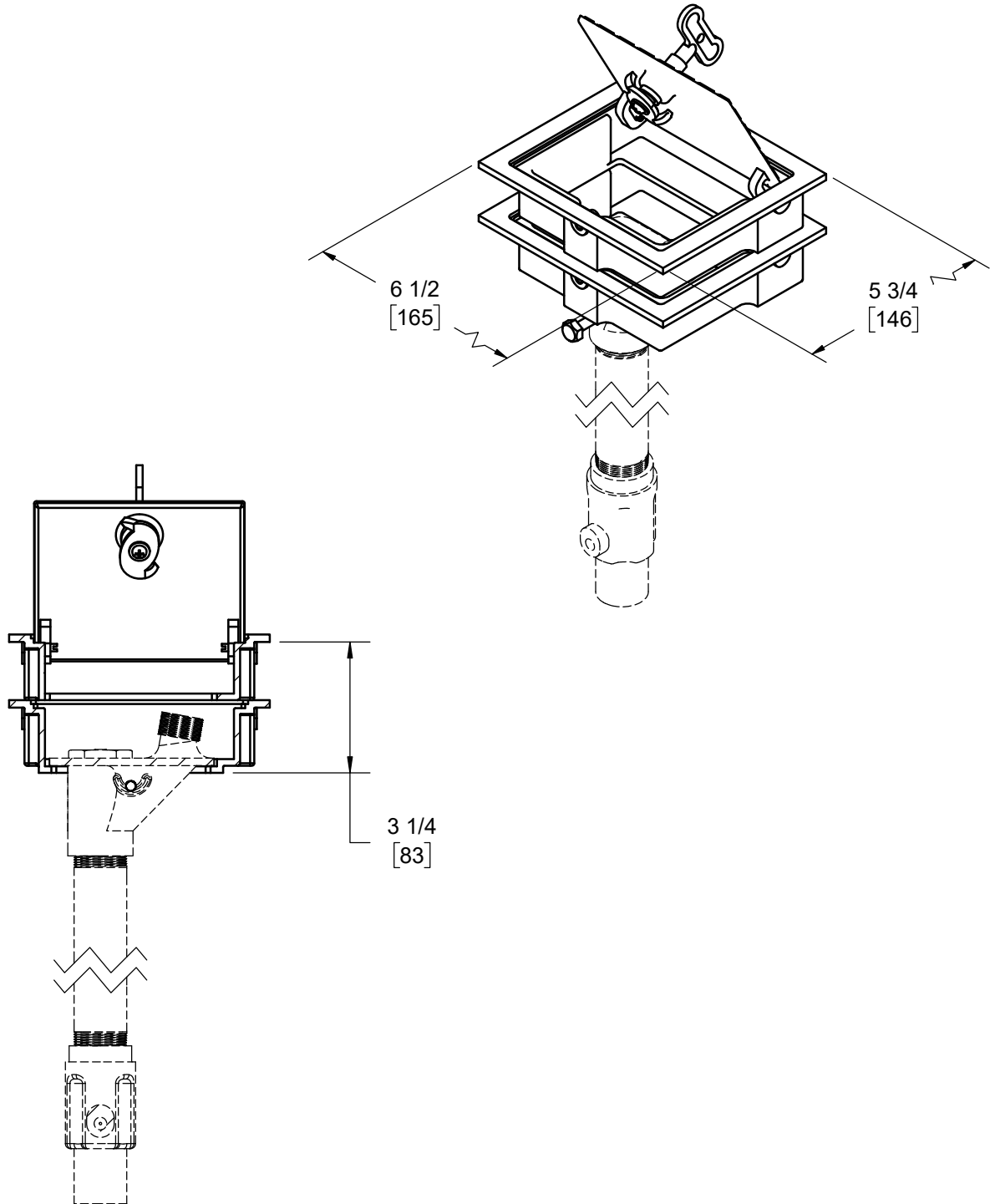
SPECIFICATION:

JOSAM DEEP NIKALOY BOX OPTION (-80) FOR SERIES 71600 HYDRANT. BODY ASSEMBLY SEALED AND SECURED TOGETHER WITH HINGED, LOCKABLE, SOLID COVER.

**HYDRANTS
DEEP BOX OPTION**

**71600-80
018045**

SERIES



HYDRANT SHOWN FOR REFERENCE.

⚠ WARNING: Cancer and Reproductive Harm - www.P65Warnings.ca.gov

DATE OF LAST CHANGE: 1/19/2023 BDT

DIMENSIONS ARE SUBJECT TO MANUFACTURERS TOLERANCES AND CHANGE WITHOUT NOTICE. WE CAN ASSUME NO RESPONSIBILITY FOR USE OF SUPERSEDED OR VOID DATA.

JOSAM

MICHIGAN CITY, INDIANA

NOTES